

Coaxial lightning arrester

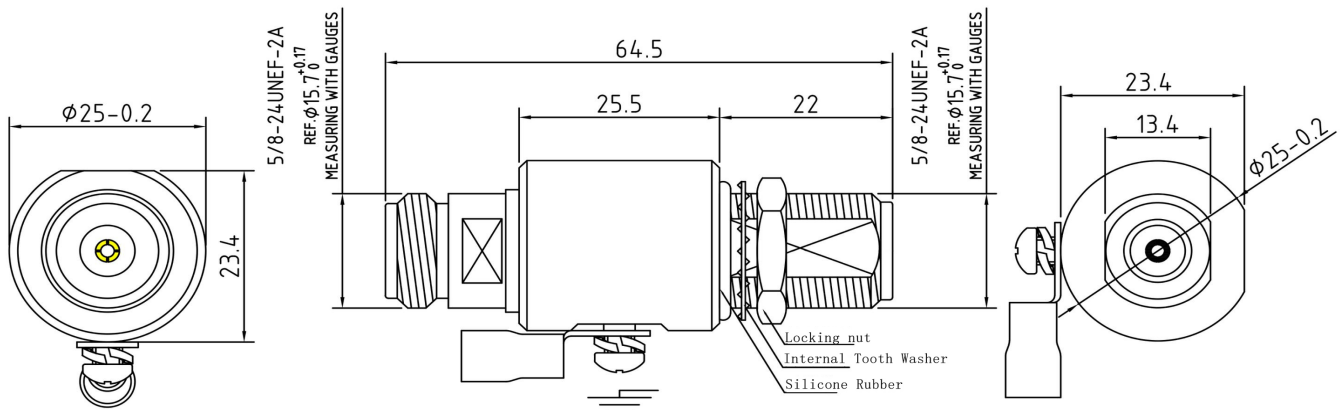
Product Overview

Antenna feeders with type series lightning protection products are mainly used in RF signal system to protect communication equipment signal line from the influence of lightning electromagnetic pulse, induction over voltage, operation over voltage, and are widely used in wireless coverage, communication base station, cable TV, satellite TV, GPS and other fields of RF line protection. This series of products has the characteristics of wide frequency range, low insertion loss, small standing wave, etc., and has good lightning protection effect without affecting the normal communication of the equipment.

Specifications

| | |
|-----------------------------|---------------|
| Model number | HT-DC2500-NKK |
| Operating frequency | 0-2.5GHz |
| Operating voltage | 70VDC |
| Nominal discharge current | 5kA |
| Maximum throughput capacity | 10kA |
| Protection Level | 200V |
| Response time | 100ns |
| Insertion loss | 0.2dB |
| VSWR | 1.2 |
| Connector | N-Female |
| Impedance | 50 |
| Protection class | IP20 |

Product Image



Wiring instructions:

1. The lightning protector will be installed horizontally in the corresponding position
2. Intercept the appropriate length of radio frequency line, connect the lightning protector and the protected equipment RF input port.
3. Complete the RF line from the outdoor into the lightning protector connection.
4. Ground the lightning protector to the nearest ground.