

Dual band Combiner Diplexer 80-2690/3300-5925 MHz

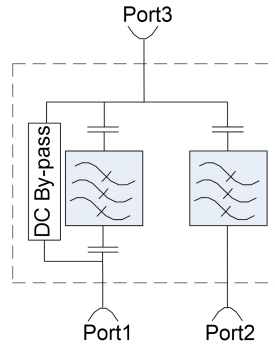
- Compact size
- Connector N ,4.3-10 , 7/16 DIN available
- Custom mounting configuration available
- Narrow or wide pass band options are available
- Available for Indoor and outdoor installations
- Multiband combination available for a variety of combinations in frequency range from 30MHz to 7GHz

Specifications :

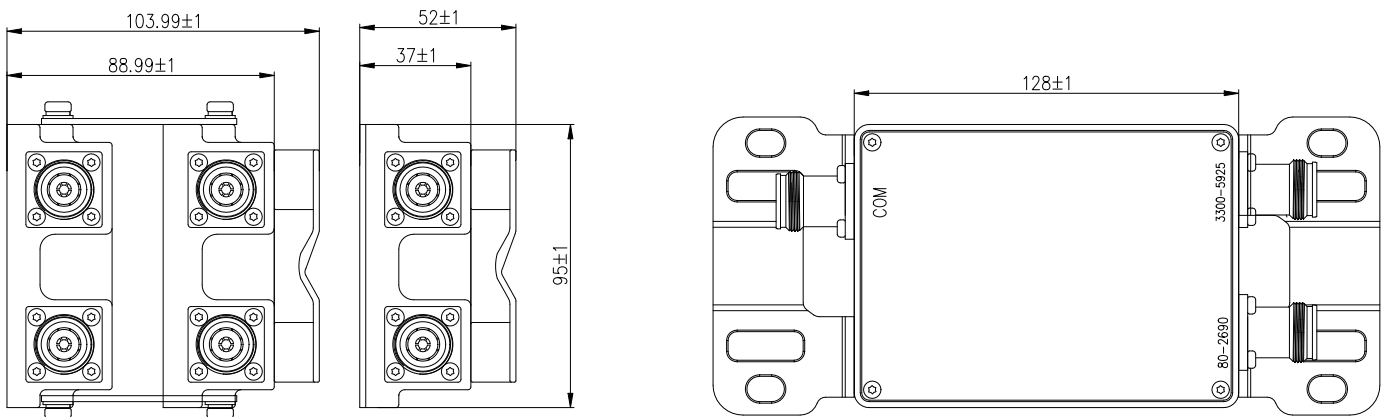
Electrical		
Freq(MHz)	Port1	Port2
	80-2690	3300-5925
Insertion Loss(dB)	Typ..≤0.25 Max..≤0.4	
Port Isolation(dB)	≥50	
Return loss/VSWR	≤-18dB/1.3	
Intermodulation (dBc)	≤-160dBc@2*43dBm	
Impedance	50 ohm	
DC/AISG	By-pass@80-2690MHz	
Lightning protection	10KA; 10/350us pulse	
Input power (W)	100 W	
Temperature		
Operation temperature	-20°C to +65°C	
Storage temperature	-40°C to +85 °C	
Degree of protection	Indoor or outdoor (IP66)	
Mechanical		
Connector	4310-Female	
Relative Humidity	5%-95%	

Code	Type	DC pass	Weight (kg)	Dimensions (mm)	Size of inner box (mm)	Dimensions of carton (mm)	Weight per case (kg)	Connectors
9508020150	Single	Port1	≤1.8	181*103*52				4.3-10/ Female
9508020151	Double	Port1	≤3.6	181*103*106				4.3-10/ Female
9508020160	Single	Port1	≤1.8	181*103*52				7/16/ Female
9508020161	Double	Port1	≤3.6	181*103*106				7/16/ Female
9508020170	Single	Port1	≤1.8	181*103*52				N/ Female
9508020171	Double	Port1	≤3.6	181*103*106				N/ Female

Schematic diagram :



Outline drawing :



Accessories information :

Throat band
(2PCS) 40X140X12mm

Mounting bracket
(2PCS) 40X140X12mm

