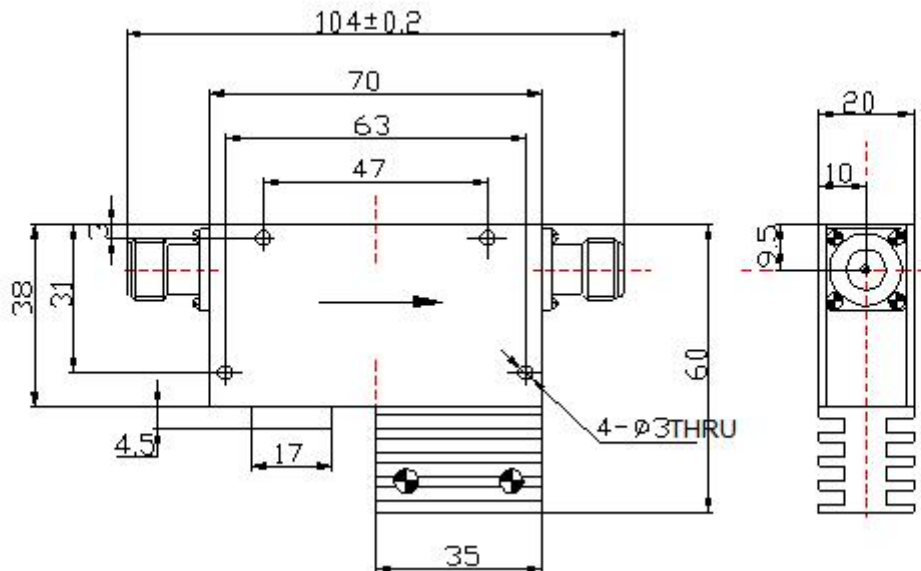


Dual Junction Coaxial Isolator 400-470MHz used in TX Combiner

Specifications :

Part No.	HT-TG0301S-N60	
Frequency Range	400-470MHz	
Bandwidth	70MHz	
Operating Temperature	+25°C	-30~+70°C
Insertion Loss	≤0.8dB	≤0.9dB
Isolation	≥40dB	≥36dB
VSWR	≤ 1.25	≤ 1.25
Forward Power	125W/CW	
Reflected Power	60W	
Impedance	50 Ω	
Connector Type	N - female	
Direction	Clockwise: 1→2	

Outline drawing :



Product picture for your reference only :

